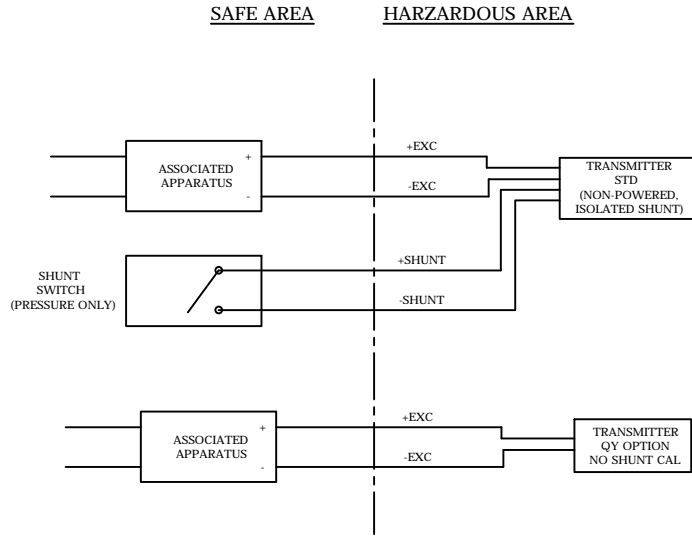
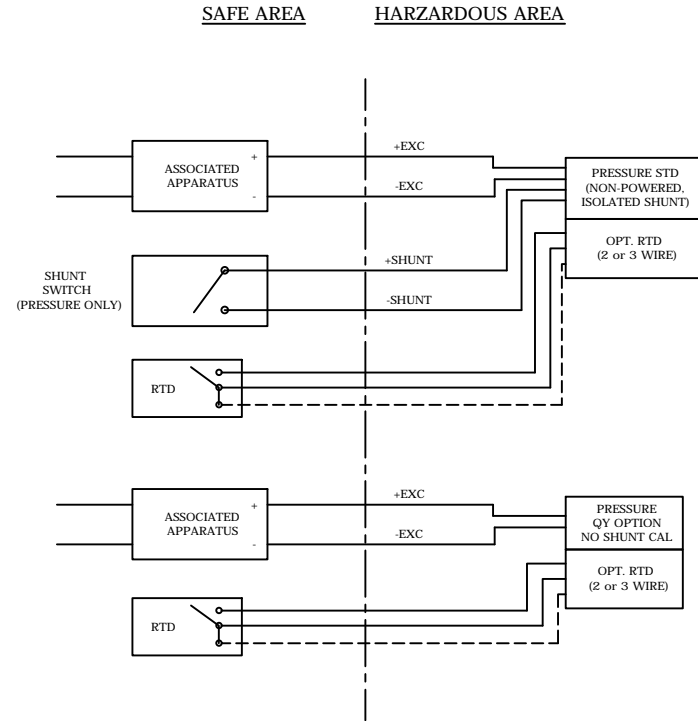


A) PRESSURE OR TEMPERATURE OUTPUT



B) PRESSURE AND RTD



NOTES:

1. INSTALLATION MUST BE IN ACCORDANCE WITH THE CODES AND PRACTICES OF THE COUNTRY IN USE.

2. ASSOCIATED APPARATUS USED FOR THE +EXC/-EXC CIRCUIT MUST HAVE A LINEAR OUTPUT AND BE CERTIFIED WITH THE BARRIER PARAMETERS THAT MEET THE FOLLOWING CONDITIONS:

$$U_o \leq U_i$$

$$I_o \leq I_i$$

$$C_o \leq C_i + C_{cable}$$

$$L_o \leq L_i + L_{cable}$$

3. SHUNT SWITCH OR RTD (WHERE APPLICABLE) WIRING IS INTRINSICALLY SAFE AND IS FOR CONNECTION TO A VOLTAGE FREE CONTACT, OR CERTIFIED RELAY CONTACT BARRIER WITH A VOLTAGE FREE CONTACT.

PRESSURE

Ex ia IIC T5 Ga (-40°C < Ta < 85°C)
ENTITY PARAMETERS: *

U_i = 15V
I_i = 100mA
C_i = 0nF
L_i = 0
P_i = 0.7W

THIRD PARTY AGENCY APPROVAL CODE: AI-S

REVISIONS			
LET	DATE	BY	ECN
-	4/16/15	DJH	1477

GP:50 2770 LONG ROAD
GRAND ISLAND, NY 14072
TEL. NO. (716)773-8300 FAX NO. (716)773-5019
AEROSPACE DIV. CAGE CODE: ON8Y7

TITLE:
**ATEX/IEC INTRINSIC SAFETY,
MODELS 17x AI/GI**

SEE ENGINEERING CHANGE NOTICE (ECN) FOR DRAWING APPROVALS
SCALE: N/A MATERIAL: N/A DRAWING NO. SHEET 1 OF 2
8C1-69.00

