



## DIAPHRAGM SEAL

### MODEL S6000

#### FEATURES:

The Series 6000 from Blue Ribbon Corporation is a lightweight, all-stainless steel, welded one-piece diaphragm seal or isolation device, used to provide economical protection of pressure sensing instrumentation from measured media. The Series is designed for small instrumentation ranging from vacuum to 2500 PSI. It also provides protection for gauges and measuring instruments in dial sizes ranging from 1 1/2" to 3 1/2", as well as in space-limited applications.

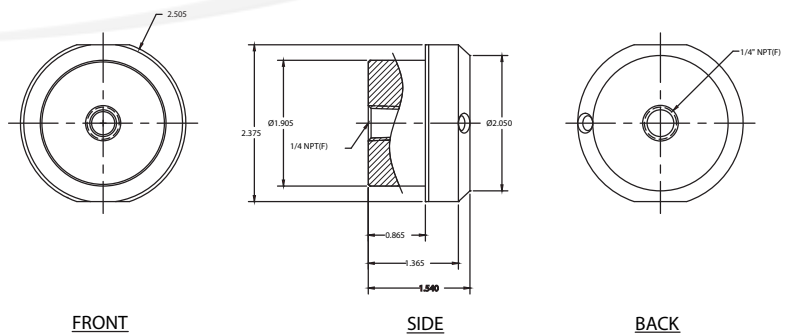
#### TECHNICAL SPECIFICATIONS:

- **Housing:** 316 Stainless Steel
- **Diaphragm:** 316 Stainless Steel
- **Operating Pressure:** Vacuum to 2500 PSI
- **Instrument:** 1/4" NPTF
- **Process Connections:** 1/4" NPTF, 1/4" NPTM, 1/2" NPTF
- **Process Temperature:** -46 °F to +302 °F



Model S6000

Part #	Description
BR-D-6000	1/4" NPT x 1/4" NPT
BR-D-6001	1/4" NPTF x 1/2" NPTM
BR-D-6002	1/2" NPTF 1/2" NPTF



BR-D-6000  
316SS  
6000 SERIES