



LIQUID FILLED GAUGE

MODEL BR200



Model BR201L Shown

FEATURES:

- Dial Sizes: 1½", 2", 2½", 4", and 6"
- High quality line of liquid filled gauges, also available dry
- Glycerine fill dampens vibration to help extend the life of the gauge
- Bottom and back connections
- ⅛", ¼", and ½" (M)NPT

SPECIFICATIONS:

- 304 Stainless Steel Case
- Brass Internals and Connection
- Lens Material: Acrylic
- Dial Sizes: 1½", 2", 2½", 4", and 6"
- Phosphor Bronze Bourdon Tube
- Glycerine fill standard
- Accuracy:
 - 1½" and 2" Dial Sizes: 2%
 - 2½" Dial: 1.6% (ASME B40.1, Grade A)
 - 4" and 6" Dial Sizes: 1% (ASME B40.1, Grade 1A)
- Connection Sizes:
 - ⅛" (M) NPT on 1½" and 2"
 - ¼" (M) NPT on 2", 2½", and 4"
 - ½" (M) NPT on 4" and 6"
- Dual Scale: PSI & BAR
- Ambient Temperature:
 - Filled: 0 °F to +150 °F
 - Dry: -30 °F to +150 °F
- Enclosure: IP65

FIELD OPTIONS

- Single Scale (PSI)
- Available in Dry
- Front Flange (FF), Back Flange (BF), and U-Clamp (UC) mount
- Alternate fills available

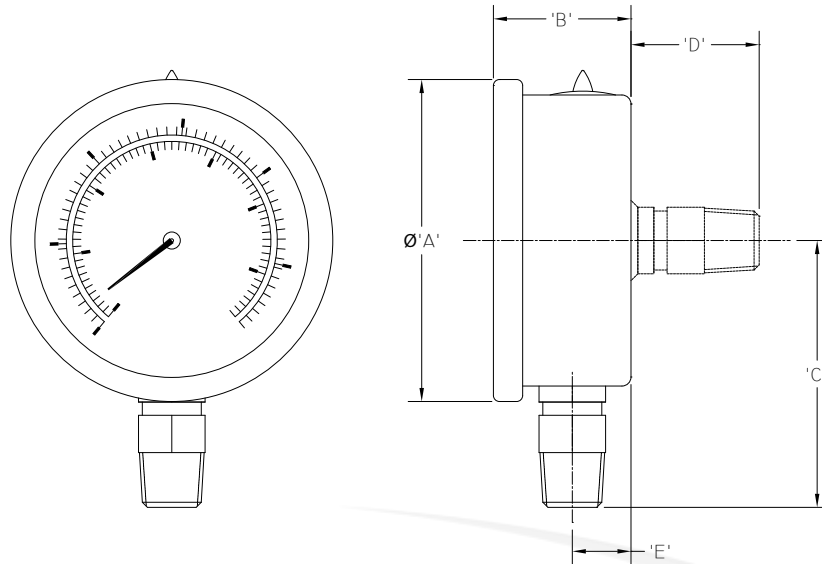
RANGE	RANGE CODES	MAJOR, INC.	MINOR, INC.
30/0" VAC	A	5	0.5
30/0/15	CB	5	0.5
30/0/30	CC	10	1
30/0/60	CD	10	1
30/0/100	CE	20	2
30/0/150	CF	20	2
30/0/300	CH	50	10
0/15	B	2	0.2
0/30	C	5	0.5
0/60	D	10	1
0/100	E	20	2
0/160	F	20	2
0/200	G	40	4
0/300	H	50	5
0/400	I	50	5
0/500	J	100	10
0/600	K	100	10
0/800	L	100	10
0/1000	M	200	20
0/1500	N	200	20
0/2000	O	400	50
0/3000	P	500	50
0/4000	Q	500	50
0/5000	R	1000	100
0/6000	S	2000	200
0/10,000	U	2000	200
0/15,000	V	2000	200

BR5SL-G-002
REV-F

LIQUID FILLED GAUGE

DIMENSIONAL DRAWING

All dimensions are in inches (mm)



BR200
FILLABLE GAUGE

DIAL SIZE	'A'	'B'	'C'	'D'	'E'
Ø1.50	1.85	1.08	1.58	0.74	0.9
Ø2.00 (1/8)	2.25	1.155	2.15	0.91	0.585
Ø2.00 (1/4)	2.25	1.155	2.165	0.935	0.585
Ø2.50	2.675	1.16	2.185	1.22	0.458
Ø4.00 (1/4)	4.29	1.4	3.2	1.256	0.703
Ø4.00 (1/2)	4.29	1.4	3.24	1.293	0.703
Ø6.00	6.40	1.93	4.10	1.15	0.56

ORDERING GUIDE

Example: BR201L204F

BR201	L	20	4	F
Model Number		Dial Size	Connector Size	Pressure Range
201 - bottom connect		1.5" - 15	8 - 1/8" NPT	See chart on page 1
202 - back connect		2.0" - 20	4 - 1/4" NPT	
Fill Type		2.5" - 25	2 - 1/2" NPT	
D - dry, non-filled		4" - 40		
L - Liquid, glycerine filled		6" - 60		

Available in Back Flange (BF), Front Flange (FF), and U-Clamp (UC) mount

All specifications are for reference purposes only. In the interests of continuous product improvement, all specifications are subject to change without notice. Please contact Blue Ribbon Corporation for assistance with your application.

