



DIGITAL PRESSURE GAUGE

MODEL BR DG-11



Model BR DG-11
Digital Pressure Gauge

FEATURES:

- Simple two-button operation
- Zero reset button
- Auto restore for last pressure reading
- Back-lit LCD display
- Overload display function
- 14.7 PSIV to 100 PSI, to 5000 PSI (PSIA or PSIG)

SPECIFICATIONS:

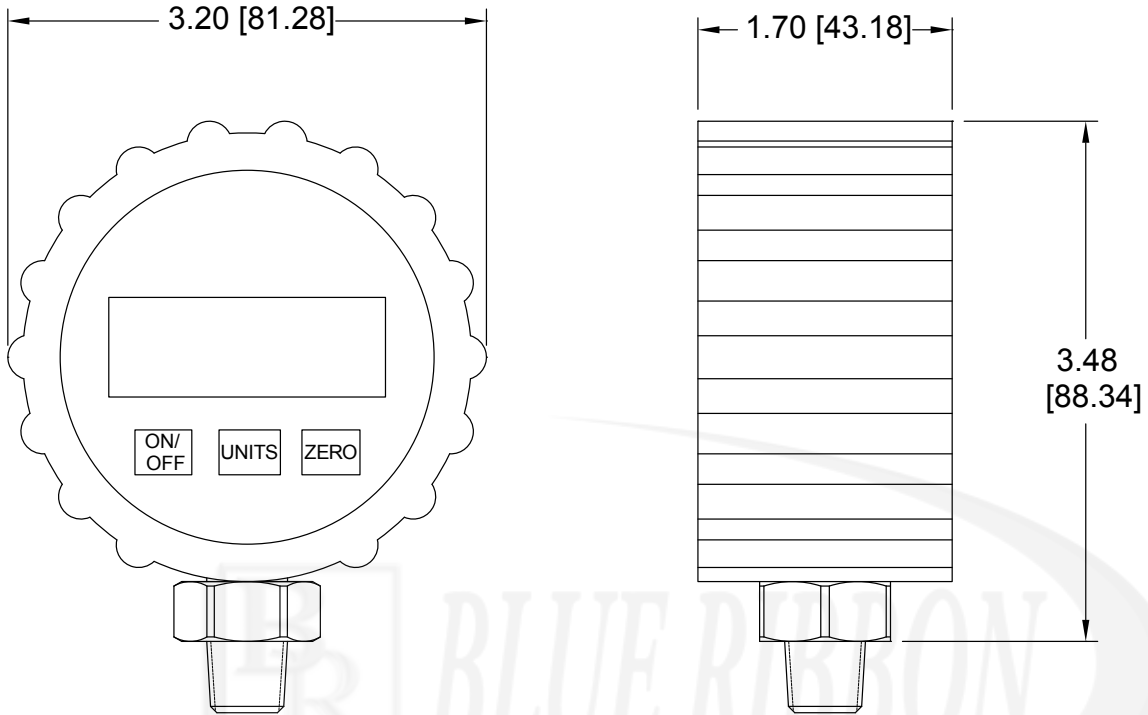
- 3" Dial (3.2" with rubber boot)
- 1.85" x 0.65" backlit LCD Display
- **Unit display:** PSI, BAR, Kg/cm²
(Calibration record provided in Pa, KPa, MPa)
- 1/4" NPT pressure port, SAE4, 1/8" NPT, optional 1/4" BSP
- Valox™ 420 case material, 17-4 PH stainless steel standard pressure port (alternate materials available)
- **Approximate weight:** 8 oz
- **Pressure Ranges:** -14.7 to 100 PSI, up to 5000 PSI (PSIA or PSIG)
- **Proof Pressure:** 2.5x Rated Pressure
- **Burst Pressure:** 4x Rated Pressure / 30K PSI max.
- **Accuracy:**
±0.5% FSO standard, (ASME B40.1, Grade 2A) includes linearity, hysteresis, and repeatability, 0.25% FSO (ASME B40.1, Grade 3A) and ±0.1% FSO (ASME B40.1, Grade 4A) optional
- **Thermal error:** <±0.5% FSO
- **Compensated temperature range:** +35 °F to +130 °F
- **Operating temperature:** +15 °F to +140 °F
- **Storage temperature:** -5 °F to +160 °F
- **Power source:** 9V battery
- Automatic power off (5 minutes with LOW BATT indicator)
- Optional protective rubber boot
- NEMA 4/IP65 enclosure

BR5SL-G-014
REV-F

DIGITAL PRESSURE GAUGE

DIMENSIONAL DRAWING

All dimensions are in inches (mm)



All specifications are for reference purposes only. In the interests of continuous product improvement, all specifications are subject to change without notice. Please contact Blue Ribbon Corporation for assistance with your application.