



HOT WATER THERMOMETERS

MODELS BRHW5/5A



Models BRHW5/5A

OVERVIEW:

The BRHW5/5A series thermometers are rugged and economical. Available in both bottom and adjustable angle connections with an easy to read dual scale, they provide an excellent option for a number of heat related applications.

APPLICATIONS:

- Hydronic heating system
- Boiler
- Water line temperature measurement

SPECIFICATIONS:

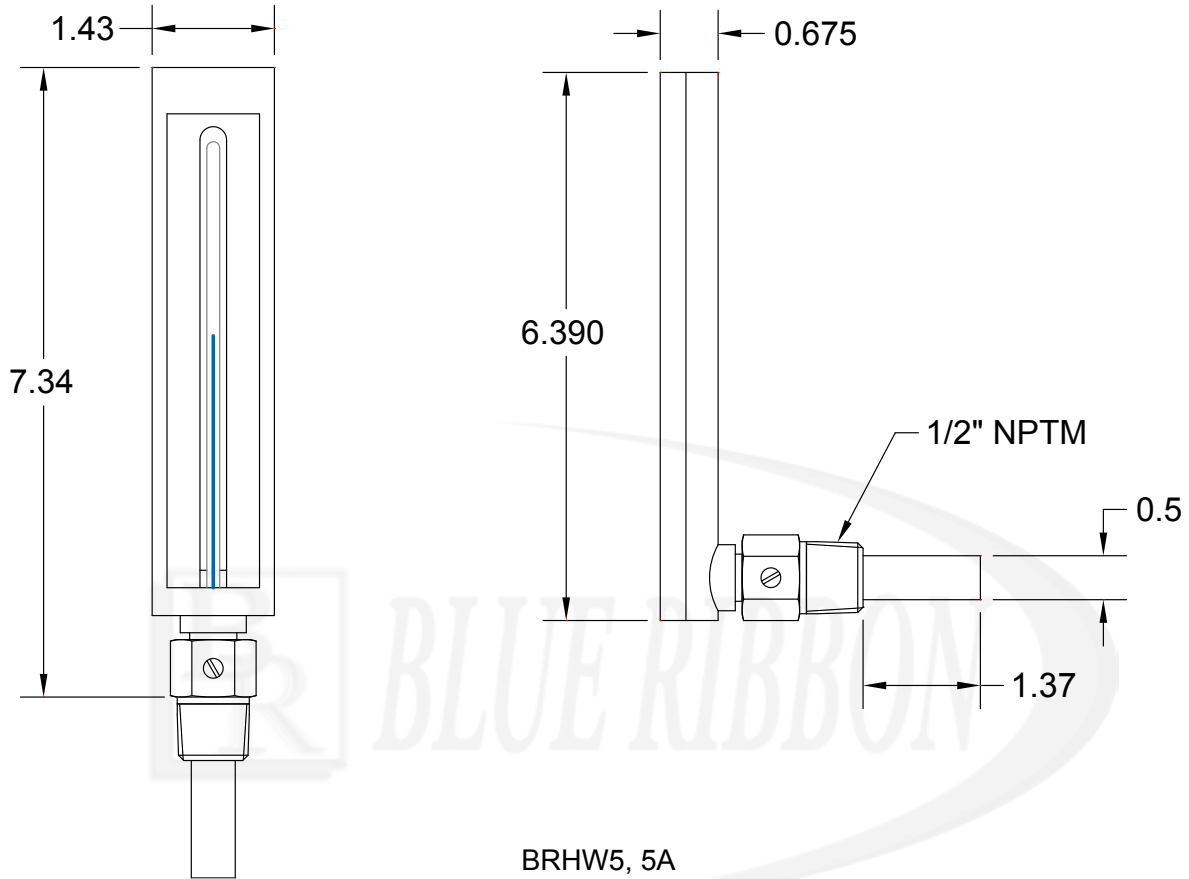
- 5" Valox case
- Easy-to-read black on white scale
- Blue Liquid Filled (Mercury-free)
- 1/2" NPT Connection
- Separable Brass well
- Bottom and adjustable connection
- Accuracy: ± 1 Scale Division

BR5SL-T-004
REV-A

HOT WATER THERMOMETERS

DIMENSIONAL DRAWING

All dimensions are in inches (mm)



BRHW5, 5A
THERMOMETER

Temp. Range	Straight	Angle
-40 to 110 F/C	BRHW5S	BRHW5A
30 to 240 F/C	BRHW5S-240	BRHW5A-240

All specifications are for reference purposes only. In the interests of continuous product improvement, all specifications are subject to change without notice. Please contact Blue Ribbon Corporation for assistance with your application.

