



SLIM SUBMERSIBLE LEVEL TRANSMITTER



Model BR313S
Slim Submersible Level Transmitter

MODEL BR313S (OBSOLETE - See Model BR313SL)

FEATURES:

- Slim 0.685" (17.4 mm) diameter housing
- 0 to 20" WC thru 300 PSI (211 meters WC)
- 4-20 mA output
- Rugged, welded, leak-proof stainless steel construction
- Silicon sensor technology
- Up to 0.10% FSO accuracy
- Hydrophobic breather filter

APPLICATIONS:

- Sewage lift and pump stations
- Deep well and borehole
- Groundwater monitoring
- Shipboard level control
- Weirs, wells, pond, reservoir, and dam level

PRODUCT OVERVIEW:

Model BR313S from Blue Ribbon Corporation has all of the same features as our popular BR313L, but with a slim 0.685" (17.4 mm) diameter housing for applications that have limited installation space. All Blue Ribbon submersible level transmitters are built with a rugged leak-proof stainless steel construction, lightning surge protection and an integrated hydrophobic filter to provide accurate level measurement with years of corrosion-free service for all types of applications.

FIELD OPTIONS:

- Lightning suppression
- Additional Hytrel cable and Tefzel® jacketed cable lengths

BR5SL-TX-003
REV-F

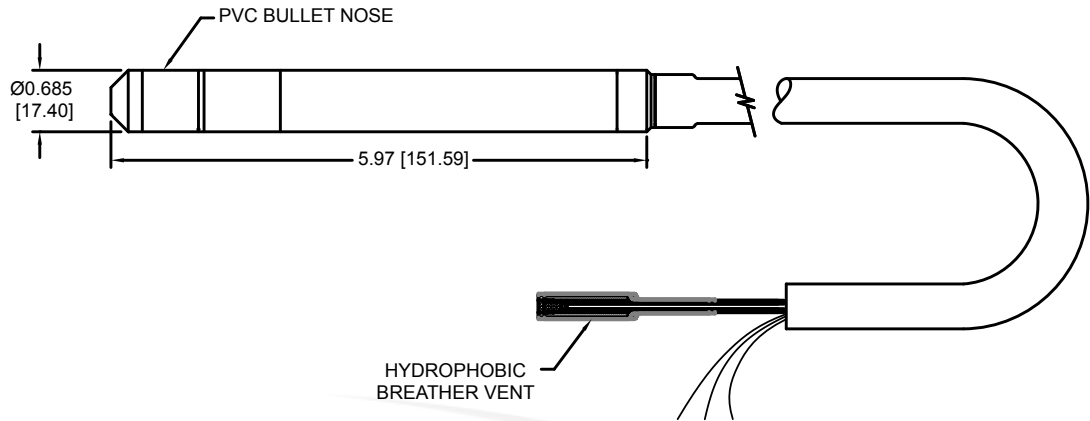
SLIM SUBMERSIBLE LEVEL TRANSMITTER

DIMENSIONAL DRAWING

All dimensions are in inches (mm)

STANDARD WIRING

WIRE	MODEL 313S
RED	+EXC/SIG
BLK	-EXC/SIG
GRN	N/C
WHT	N/C
SHIELD	OPEN



REFERENCE SPECIFICATIONS

ELECTRICAL <ul style="list-style-type: none"> • Excitation Voltage: 9 to 36 Vdc • Output Signal: 4-20 mA output • Circuit Protection: Short circuit or reversed wired – Indefinite • Load Impedance: 1400 Ω max. at 40 Vdc excitation • Response Time: ≤5 ms to 90% • Connection: Molded Hytrel jacket, 6-conductor with breather tube, 24 AWG, 8' long, optional lengths available, Tefzel® cable optional 	MECHANICAL <ul style="list-style-type: none"> • Process Connection: PVC bullet nose • External Pressure: Rated to 500 PSI (35 BAR) max. • Proof Pressure: 2X FSO • Burst Pressure: 4X FSO • Approximate Weight: 10 oz (0.3 kg) nominal, options may increase weight • Diameter: 0.685" (17.4 mm)
MATERIALS OF CONSTRUCTION <ul style="list-style-type: none"> • Housing: Type 316 stainless steel 	PRESSURE RANGES <ul style="list-style-type: none"> • 0-20" WC thru 500 PSI (50 MBAR to 35 BAR)
STATIC ACCURACY (RSS) (HYSTERESIS, NON-LINEARITY & REPEATABILITY @ +70 °F) <p>Standard: ±0.5% FSO Optional: ±0.2% FSO, and ±0.1% FSO Zero/Span Balance: ±1.0% FSO @ +70 °F</p>	THERMAL SPECIFICATIONS <ul style="list-style-type: none"> • Compensated: 0 °F to +140 °F (-17.7 °C to +60 °C) • Operating: -40 °F to +150 °F (-40 °C to +65.5 °C) • Storage: -40 °F to +150 °F (-40 °C to +65.5 °C) • Effect on Zero/Span: < ±2.0% FSO/100 °F

All specifications are for reference purposes only. In the interests of continuous product improvement, all specifications are subject to change without notice. Please contact Blue Ribbon Corporation for assistance with your application.

