



INDUSTRIAL THREADED THERMOWELLS

MODEL BR9TW



Model BR9TW
Industrial Threaded Thermowells

FEATURES:

- Designed for use with all 9" (228mm) Industrial thermometers.
- Allows for easy replacement of thermometer without interruption of the industrial process.
- Protects thermometer from exposure to the process media.
- 1-year warranty

SPECIFICATIONS:

- **Thermometer Connection:**
 - 1/2" NPT female (other thread sizes available upon request)
- **Process Connection:**
 - 3/4", 1/2" NPT standard, optional thread sizes available
- **Bore:**
 - 0.467" (11.9mm)
- **Construction:**
 - Stepped construction
 - Tapered construction standard
- **Materials:**
 - Brass, AISI 304 stainless steel, AISI 316 stainless steel
 - Other materials available upon request

ORDERING GUIDE

Example: BR9TW-B-35
Brass Thermowell with 3.5" Stem

Model	Material	Stem Length	Lagging
BR9TW	B-Brass	35-3.5"	1-1"
	LFB - Lead Free Brass	6-6"	25-2.5"
	SS - 304 Stainless Steel		

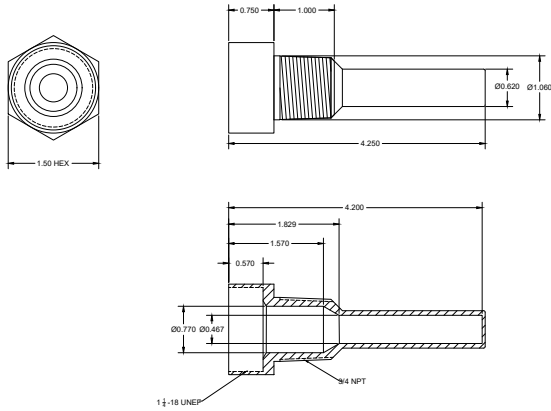
BR5SL-T-007
REV-B

INDUSTRIAL THREADED THERMOWELLS

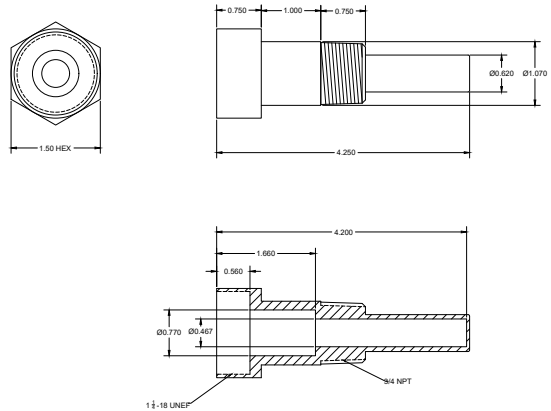
DIMENSIONAL DRAWING

All dimensions are in inches (mm)

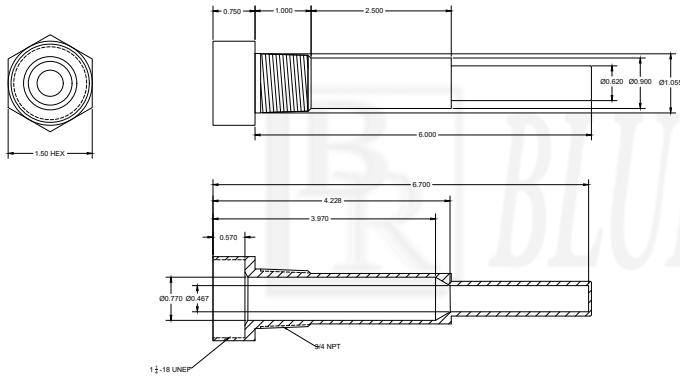
3.5" Stem without Lag



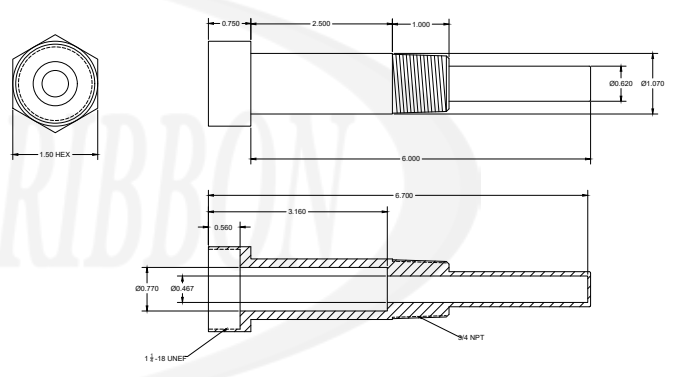
3.5" Stem with Lag



6" Stem without Lag



6" Stem with Lag



Stem	W	U	U(With Lag)	S	E	V	B	T	I	P
3.5"	0.75" (19.05mm)	2.50" (63.50mm)	1.50" (38.10mm)	3.5" (88.90mm)	0.16" (4.06mm)	0.62" (15.75mm)	0.44" (11.18mm)	1.00" (25.40mm)	1 1/4"-18 UNEF	3/4" NPT
6"	0.75" (19.05mm)	5.00" (127.00mm)	2.50" (63.50mm)	6" (152.40mm)	0.16" (4.06mm)	0.62" (15.75mm)	0.44" (11.18mm)	2.5" (63.50mm)	1 1/4"-18 UNEF	3/4" NPT
8"	0.75" (19.05mm)	7.00" (177.80mm)	4.50" (114.30mm)	8" (203.20mm)	0.16" (4.06mm)	0.62" (15.75mm)	0.44" (11.18mm)	2.5" (63.50mm)	1 1/4"-18 UNEF	3/4" NPT
12"	0.75" (19.05mm)	11.00" (279.40mm)	8.00" (203.20mm)	12" (304.80mm)	0.16" (4.06mm)	0.62" (15.75mm)	0.44" (11.18mm)	3" (76.20mm)	1 1/4"-18 UNEF	1" NPT
18"	0.75" (19.05mm)	17.00" (431.80mm)	14.00" (355.60mm)	18" (457.20mm)	0.16" (4.06mm)	0.62" (15.75mm)	0.44" (11.18mm)	3" (76.20mm)	1 1/4"-18 UNEF	1" NPT

All specifications are for reference purposes only. In the interests of continuous product improvement, all specifications are subject to change without notice. Please contact Blue Ribbon Corporation for assistance with your application.

