



SLIM SUBMERSIBLE LEVEL TRANSMITTER



Model BR313R
Slim Submersible Level Transmitter



MODEL BR313R

FEATURES:

- Slim 0.622" (15.8mm) diameter housing
- 0 to 40" WC thru 285 PSI (200 meters WC)
- 4-20 mA output
- Rugged, welded, leak-proof stainless steel construction
- Silicon sensor technology
- Up to 0.25% FSO accuracy
- Hydrophobic breather filter
- CE certified

APPLICATIONS:

- Sewage lift and pump stations
- Deep well and borehole
- Groundwater monitoring
- Shipboard level control
- Weirs, wells, pond, reservoir, and dam level

PRODUCT OVERVIEW:

Model BR313R from Blue Ribbon Corp has all of the same features as our popular BR313L, but with a slim 0.622" (15.8 mm) diameter housing for those applications that have limited installation space. All Blue Ribbon submersible level transmitters are built with a rugged leak-proof stainless steel construction, lightning surge protection and an integrated hydrophobic filter to provide accurate level measurement with years of corrosion-free service for all types of level applications.

FIELD OPTIONS:

- Lightning suppression
- Additional cable lengths available

BR5SL-TX-031
REV-B

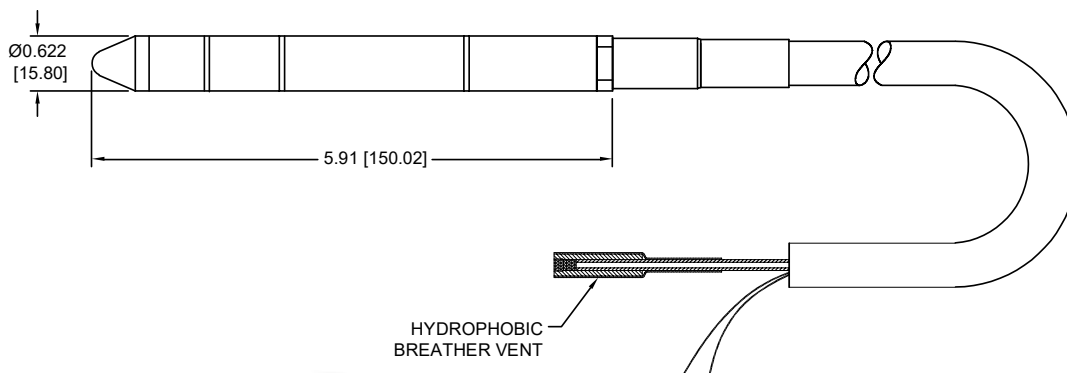
SLIM SUBMERSIBLE LEVEL TRANSMITTER

DIMENSIONAL DRAWING

All dimensions are in inches (mm)

STANDARD WIRING

WIRE	MODEL
	313R
RED	+EXC/SIG
GRN	-EXC/SIG



REFERENCE SPECIFICATIONS

<p>ELECTRICAL</p> <ul style="list-style-type: none"> • Excitation Voltage: 9 to 32 Vdc • Output Signal: 4-20 mA, 0-5 Vdc, and 1-5 Vdc output • Circuit Protection: Short circuit or reversed wired – Indefinite • Load Resistance: 1400 Ω max. at 40 Vdc excitation • Response Time: ≤5 ms to 90% • Connection: 40 ft Polyurethane jacketed cable with integrated vent tube and hydrophobic filter, additional lengths, Teflon cable optional 	<p>MECHANICAL</p> <ul style="list-style-type: none"> • Zero Balance and FSO: ±1.0% FSO @ +70 °F • Process Connection: Stainless Steel bullet nose • External Pressure: Rated to 500 PSI (35 BAR) max. • Proof Pressure: 1.5X FSO • Burst Pressure: 4X FSO • Approximate Weight: 10 oz (0.3 kg) nominal, options may increase weight • Diameter: 0.622" (15.8 mm)
<p>MATERIALS OF CONSTRUCTION</p> <ul style="list-style-type: none"> • Housing: Type 316 stainless steel 	<p>PRESSURE RANGES</p> <ul style="list-style-type: none"> • 0-40" WC thru 285 PSI (200 MWC)
<p>STATIC ACCURACY (RSS) (HYSTERESIS, NON-LINEARITY & REPEATABILITY @ +70 °F)</p> <p>Standard: ±0.5% FSO Improved: ±0.25% FSO</p>	<p>THERMAL SPECIFICATIONS</p> <ul style="list-style-type: none"> • Compensated: 14 °F to +160 °F (-10 °C to +70 °C) • Operating: -4 °F to +185 °F (-20 °C to +85 °C) • Storage: -40 °F to +250 °F (-40 °C to +121 °C) • Effect on Zero/Span: <±2.0% FSO/100 °F

All specifications are for reference purposes only. In the interests of continuous product improvement, all specifications are subject to change without notice. Please contact Blue Ribbon Corporation for assistance with your application.

